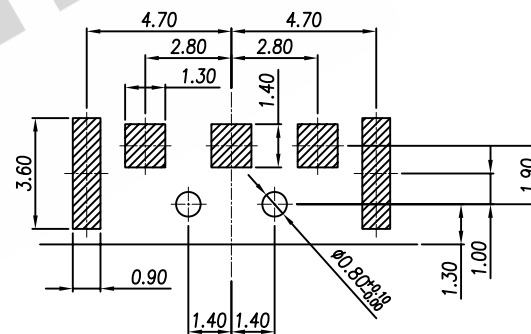
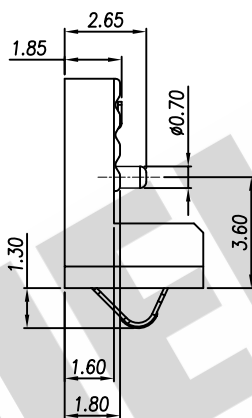
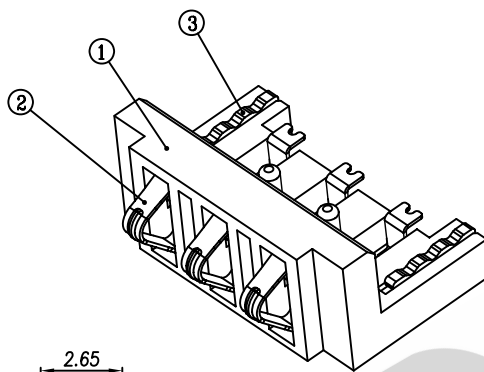
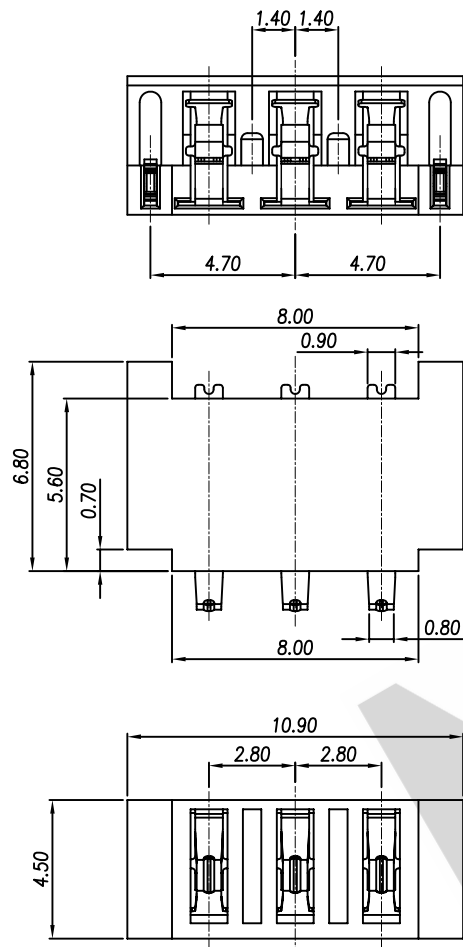


CAD FILE:



RECOMMEND PCB LAYOUT (TOP VIEW)

TOLERANCE: ± 0.05

Note:

1.Material:

- 1.1 Housing: High temperature thermoplastic with g.f,UL94v-0
- 1.2 Contact: C5210R-EH, T=0.12 \pm 0.01mm
Plating: Gold Plating 5u" on contact, Tin Plating on slider tail
- 1.3 hold-down: C2680, T=0.40 \pm 0.01mm, Tin Plating

2.Specification:

- 2.1 rating: AC 250V 2A /DC 24V 2A.
- 2.2 Contact resistance: 30 mW Max.
- 2.3 Insulation resistance: 500 MW Min.
- 2.4 Operating Force: 70~150gf
- 2.5 Life test: 10000 Cycles
- 2.6 Temperature range: -40°C~105°C

8					TOLERANCE UNLESS SPECIFIED	SHENZHEN XIEJIA ELECTRONICS CO.,LTD.				
7										
6					X. ± 0.25 X.XX ± 0.10	ISSUE	DATE	DESCRIPTIONS	APPD.	
5					X.X ± 0.15 Angel $\pm 2^\circ$					
4					TITLE : BATTERY CONNECTOR		UNIT : MM	DRWG NO.: XJ-DR-BC6-00		
3	HOLD-DOWN	COPPER ALLOY	2	Tin PLATED	MODEL: SM-BAT03-006		SCALE: 5:1	DWN.	ZHOUYU	2013-12-23
2	CONTACT	PBS	3	SEMI-GOLD Tin				CHK'D	FANGYING	2013-12-23
1	HOUSING	PA	1	BLACK				APPD.	KANGXINAN	2013-12-23
NO.	PART NAME	MATERIAL	Q'TY	FINISHING	ALL MATERIALS MUST BE COMPLIANT TO ROHS					